



## Crystal dropper resin geometric simple L-shaped candle holder DIY cement gypsum swing table silicone mold

Our Product Introduction

for more products please visit us on [epoxyresinfloorcoating.com](http://epoxyresinfloorcoating.com)

### Basic Information

- Place of Origin: CHINA
- Brand Name: CREKOAT
- Minimum Order Quantity: 500 PCS
- Packaging Details: Opp Bag
- Delivery Time: 5-8 Work Days
- Payment Terms: T/T



### Product Specification

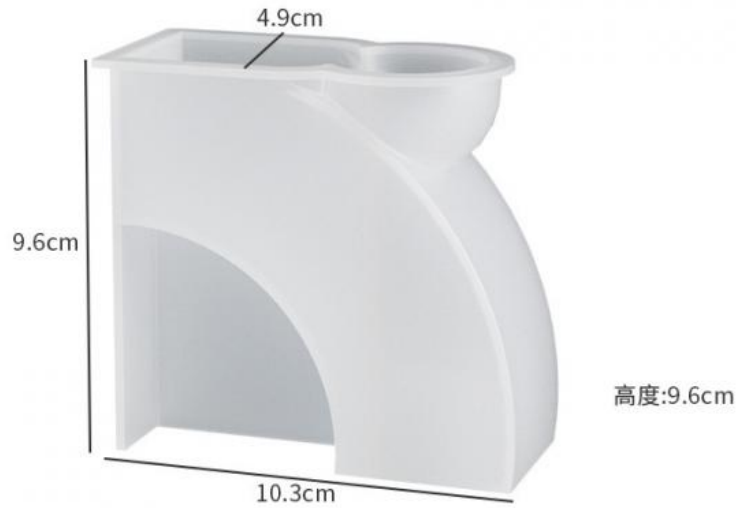
- Material: Silicone
- Use: DIY Resin Crafts
- Color: White
- Shape: Irregular



### More Images



2714



成品尺寸:9.5\*4\*9.5cm  
**L形烛台模具001**

**CREKOAT** Guangdong Crekoat New Materials Co., Ltd.

+8615017402317    info@crekoat.com    epoxyresinfloorcoating.com

Building C, Tang's Industrial Zone, Gaopu Town, Dongguan City, China