



DIY crystal dropper mold, modern and simple flower vase, branch hydroponic flower pot, silicone mold

Our Product Introduction

for more products please visit us on epoxyresinfloorcoating.com

Basic Information

- Place of Origin: CHINA
- Brand Name: CREKOAT
- Minimum Order Quantity: 500 PCS
- Packaging Details: Opp Bag
- Delivery Time: 5-8 Work Days
- Payment Terms: T/T

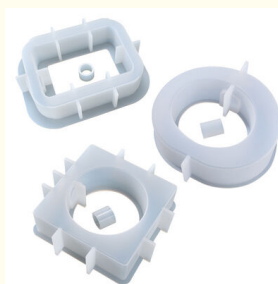


Product Specification

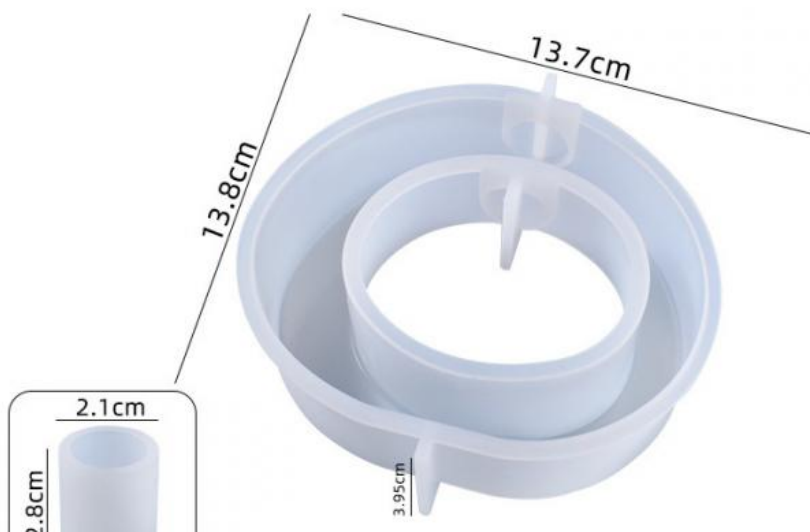
- Material: Silicone
- Use: DIY Resin Crafts
- Color: White
- Shape: Irregular



More Images



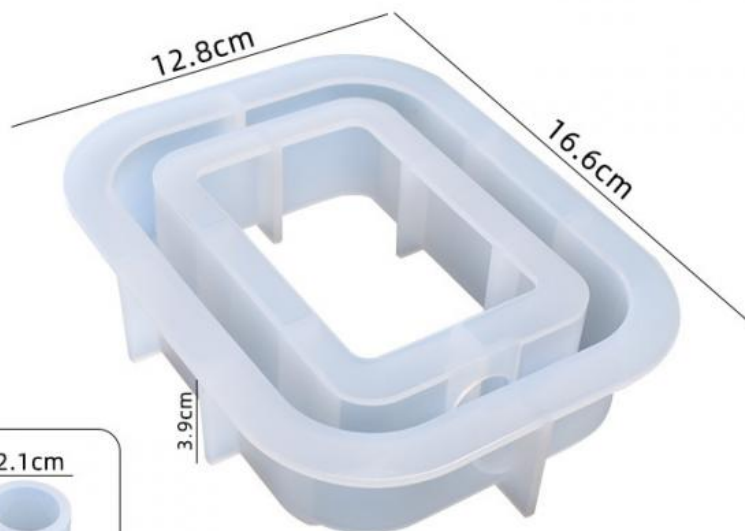
0909



花器圈01

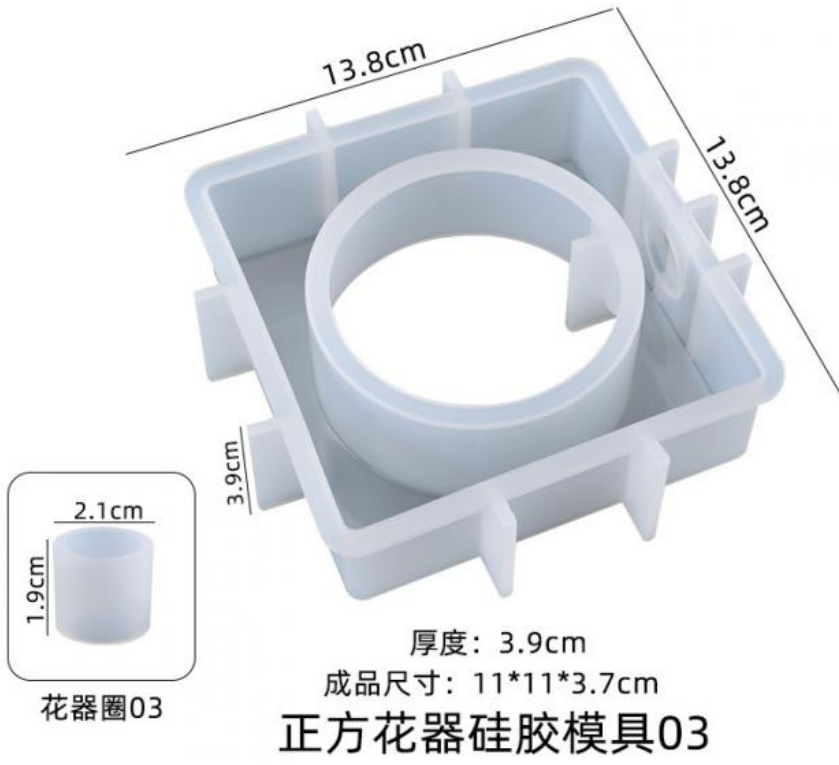
厚度: 3.95cm
 成品尺寸: 12.7*11.2*3.8cm
花器硅胶模具01

0910



花器圈02

厚度: 3.9cm
 成品尺寸: 14*10.5*3.76cm
长方花器硅胶模具02



亚克力蓝色试管（3个装）



亚克力浅紫试管（3个装）



亚克力透明试管（3个装）

