



## Dropping resin geometric body large hexagonal book file mold large, medium, small hexagonal specimen silicone mold

Our Product Introduction

for more products please visit us on [epoxyresinfloorcoating.com](http://epoxyresinfloorcoating.com)

### Basic Information

- Place of Origin: CHINA
- Brand Name: CREKOAT
- Minimum Order Quantity: 500 PCS
- Packaging Details: Opp Bag
- Delivery Time: 5-8 Work Days
- Payment Terms: T/T



### Product Specification

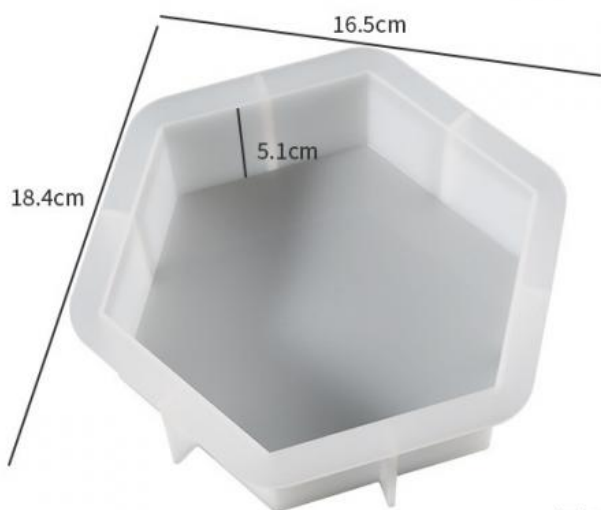
- Material: Silicone
- Use: DIY Resin Crafts
- Color: White
- Shape: Irregular



### More Images



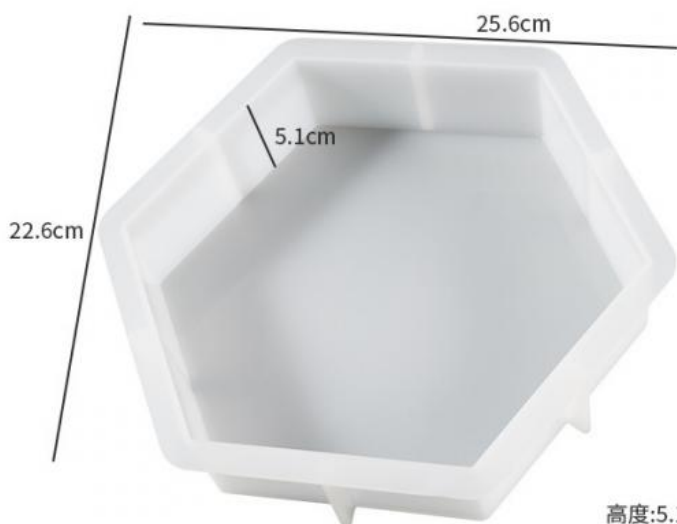
2084



高度:5.1cm

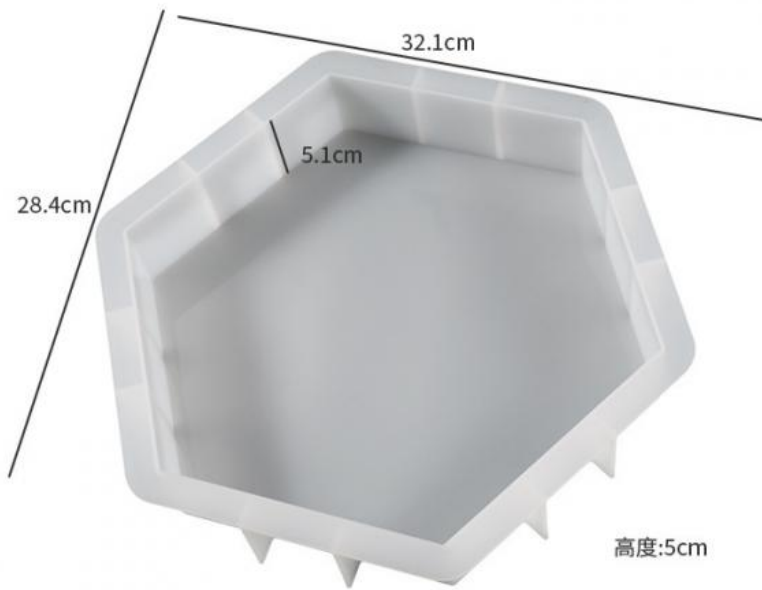
成品尺寸:16\*13.9\*5cm  
**六边体硅胶模具01**

1846



高度:5.1cm

成品尺寸:23\*20\*5cm  
**六边体硅胶模具02**



成品尺寸:28.8\*25\*5cm  
**六边体硅胶模具03**

**CREKOAT** Guangdong Crekoat New Materials Co., Ltd.

+8615017402317   info@crekoat.com   epoxyresinfloorcoating.com

Fengguo Industrial Avenue, Baini Town, Sanshui District, Foshan City, China