



DIY crystal dropper resin mold trapezoidal fan-shaped square book shelf jewelry table silicone mold

Our Product Introduction

for more products please visit us on epoxyresinfloorcoating.com

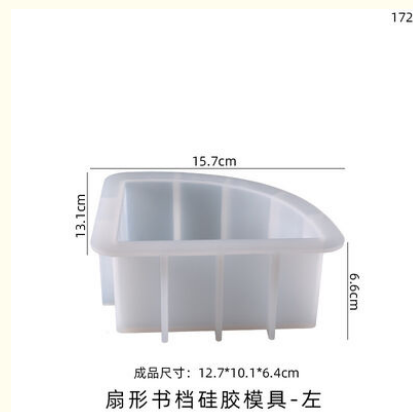
Basic Information

- Place of Origin: CHINA
- Brand Name: CREKOAT
- Minimum Order Quantity: 500 PCS
- Packaging Details: Opp Bag
- Delivery Time: 5-8 Work Days
- Payment Terms: T/T



Product Specification

- Material: Silicone
- Use: DIY Resin Crafts
- Color: White
- Shape: Irregular



More Images



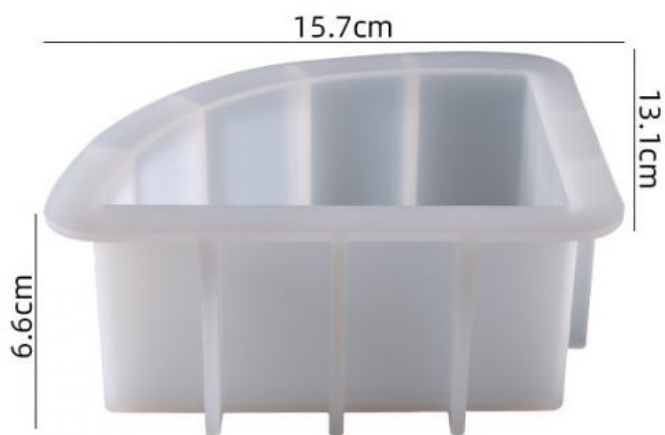
1721



成品尺寸: 12.7*10.1*6.4cm

扇形书档硅胶模具-左

1721



成品尺寸: 12.7*10.1*6.4cm

扇形书档硅胶模具-右



成品尺寸: 12.7*10.8*6.4cm

梯形书挡硅胶模具-左



成品尺寸: 12.7*10.8*6.4cm

梯形书挡硅胶模具-右



厚度: 7.8cm

成品尺寸: 20.3*20.3*7.6cm

方体书档模具 (20.3cm)



Guangdong Crekoat New Materials Co., Ltd.



+8615017402317



info@crekoat.com



epoxyresinfloorcoating.com

Building C, Tang's Industrial Zone, Gaopu Town, Dongguan City, China