



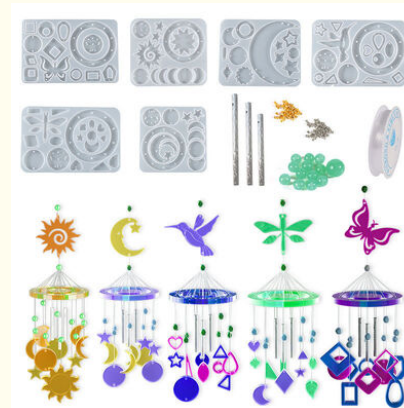
## DIY Crystal Dropping Resin Mold Butterfly Sun Dragonfly Moon Wind Chime Pendant Silicone Mold

Our Product Introduction

for more products please visit us on epoxyresinfloorcoating.com

### Basic Information

- Place of Origin: CHINA
- Brand Name: CREKOAT
- Minimum Order Quantity: 500 PCS
- Packaging Details: Opp Bag
- Delivery Time: 5-8 Work Days
- Payment Terms: T/T

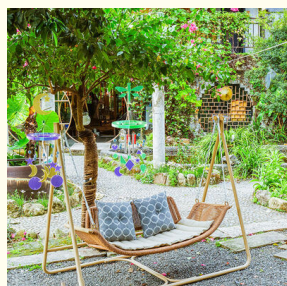


### Product Specification

- Material: Silicone
- Use: DIY Resin Crafts
- Color: White
- Shape: Irregular



### More Images



1858



厚度: 1cm

太阳风铃模具

1859



厚度: 1cm

蝴蝶风铃模具



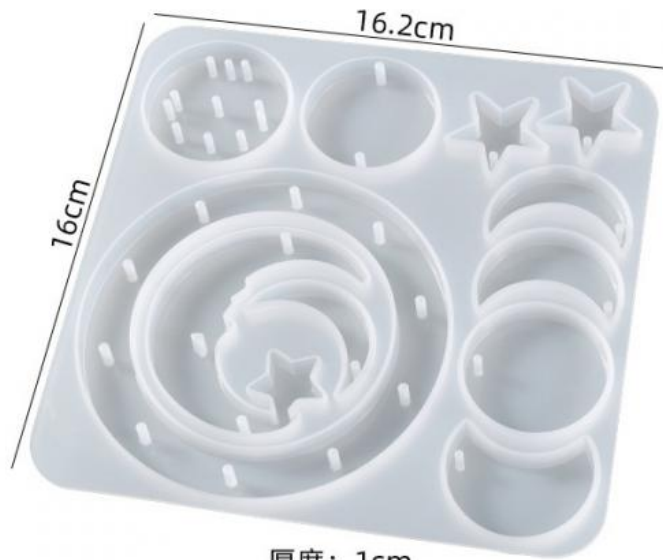
厚度: 1cm

蜻蜓风铃模具



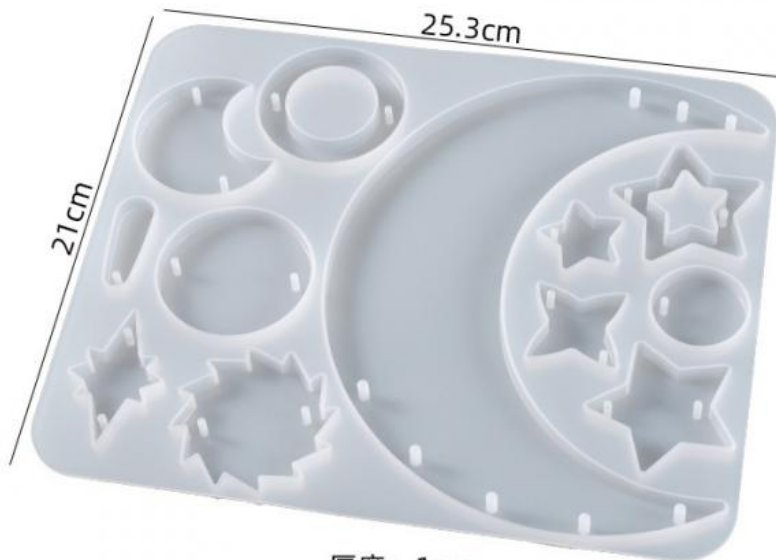
厚度: 1cm

蜂鸟风铃模具



厚度: 1cm

月亮风铃模具



厚度: 1cm

星星风铃模具



草绿 -1 颗大 12 颗小



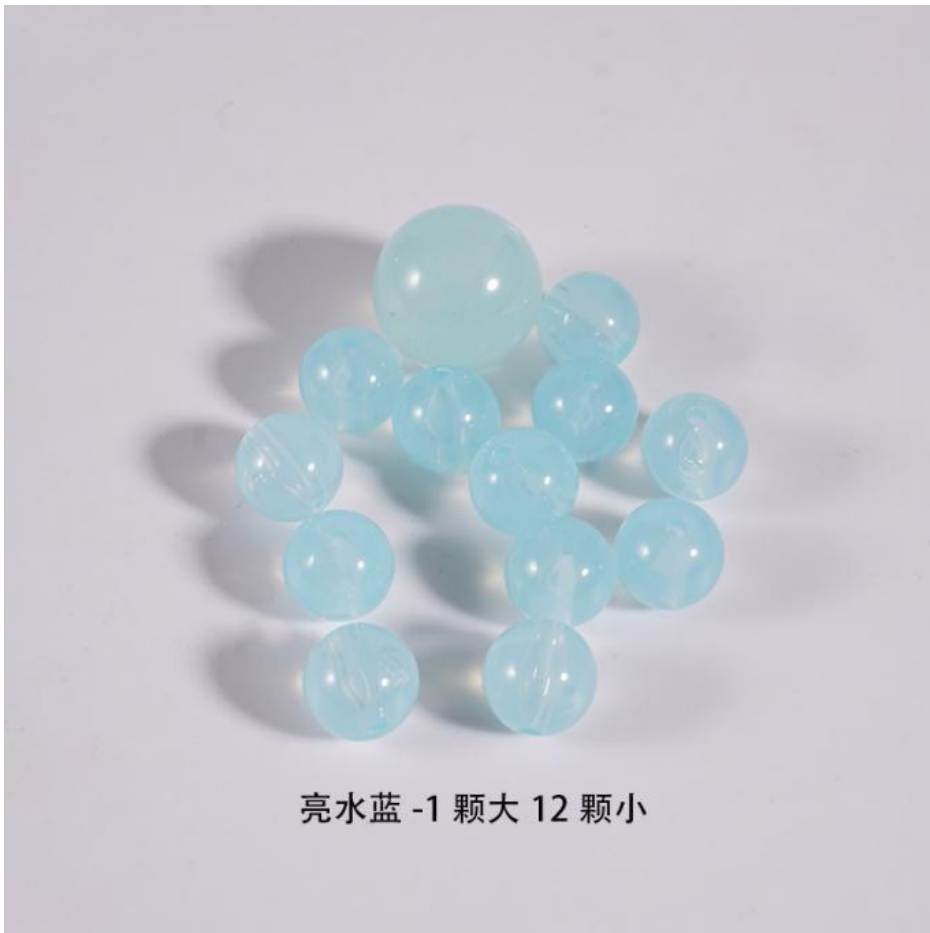
纯白色 -1 颗大 12 颗小



果冻亮白 -1 颗大 12 颗小



黑色 -1 颗大 12 颗小



亮水蓝 -1 颗大 12 颗小



浅紫 -1 颗大 12 颗小



水蓝 -1 颗大 12 颗小



定位珠金色 -1 克 1 包



定位珠银色 -1 克 1 包



风铃管 3 根



水晶线 -0.2mm\*100m

**CREKOAT** Guangdong Crekoat New Materials Co., Ltd.

+8615017402317   info@crekoat.com   epoxyresinfloorcoating.com

Building C, Tang's Industrial Zone, Gaopu Town, Dongguan City, China