



## DIY crystal dropper mold hexagonal, heart-shaped flower pot test tube culture water plant silicone mold

Our Product Introduction

for more products please visit us on epoxyresinfloorcoating.com

### Basic Information

- Place of Origin: CHINA
- Brand Name: CREKOAT
- Minimum Order Quantity: 500 PCS
- Packaging Details: Opp Bag
- Delivery Time: 5-8 Work Days
- Payment Terms: T/T



### Product Specification

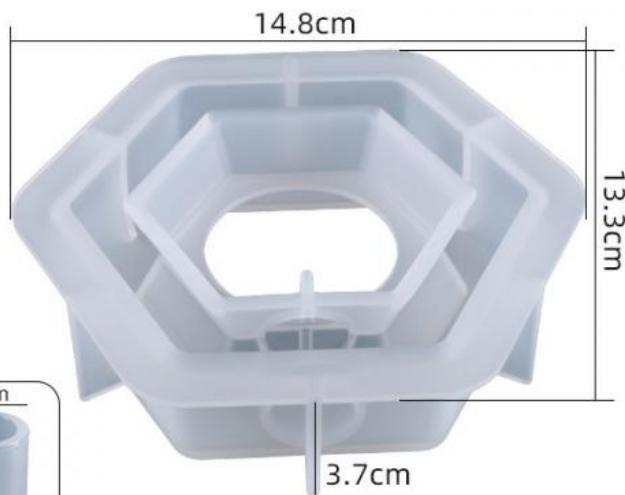
- Material: Silicone
- Use: DIY Resin Crafts
- Color: White
- Shape: Irregular



### More Images



1702



花器圈

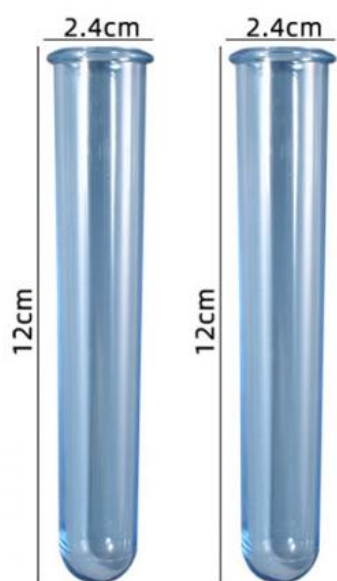
厚度: 3.7cm  
 成品尺寸: 12.3\*10.8\*3.4cm  
**六角花器硅胶模具**

1703

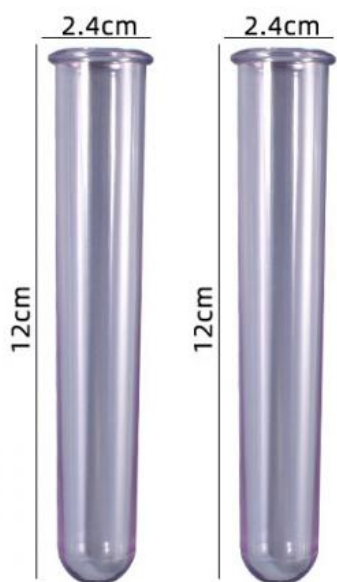


花器圈

厚度: 3.7cm  
 成品尺寸: 12\*11.9\*3.4cm  
**爱心花器硅胶模具**



亚克力蓝色试管（2个装）



亚克力浅紫试管（2个装）



亚克力透明试管（2个装）

**CREKOAT** Guangdong Crekoat New Materials Co., Ltd.

+8615017402317    info@crekoat.com    epoxyresinfloorcoating.com

Building C, Tang's Industrial Zone, Gaopu Town, Dongguan City, China