

Crystal jewelry large pendant drip glue mold DIY boat rudder anchor gypsum ornament silicone mold wholesale

Our Product Introduction

for more products please visit us on epoxyresinfloorcoating.com

Basic Information

- Place of Origin: CHINA
- Brand Name: CREKOAT
- Minimum Order Quantity: 500 PCS
- Packaging Details: Opp Bag
- Delivery Time: 5-8 Work Days
- Payment Terms: T/T



Product Specification

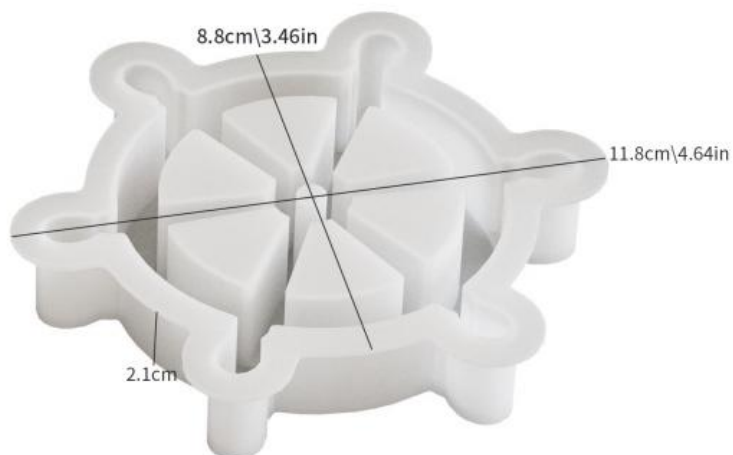
- Material: Silicone
- Use: DIY Resin Crafts
- Color: White
- Shape: Irregular



More Images

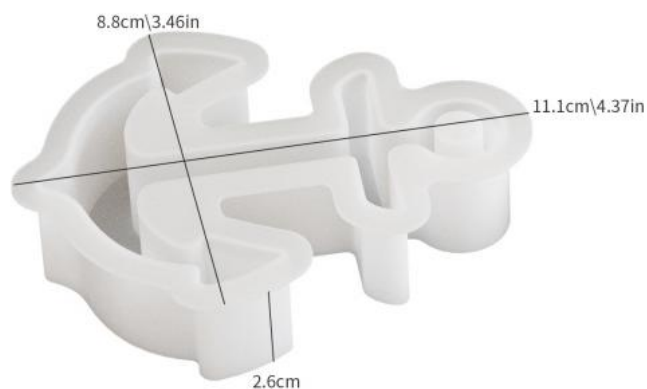


4206



船舵摆件模具001

4207



船锚摆件模具002



Guangdong Crekoat New Materials Co., Ltd.



+8615017402317



info@crekoat.com



epoxyresinfloorcoating.com

Fengguo Industrial Avenue, Baini Town, Sanshui District, Foshan City, China