



DIY cut circular square heart-shaped flower pentagram gypsum storage candle cup candle holder base silicone mold

Our Product Introduction

for more products please visit us on epoxyresinfloorcoating.com

Basic Information

- Place of Origin: CHINA
- Brand Name: CREKOAT
- Minimum Order Quantity: 500 PCS
- Packaging Details: Opp Bag
- Delivery Time: 5-8 Work Days
- Payment Terms: T/T



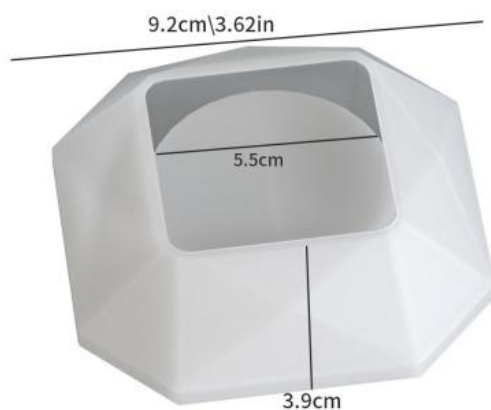
Product Specification

- Material: Silicone
- Use: DIY Resin Crafts
- Color: White
- Shape: Irregular



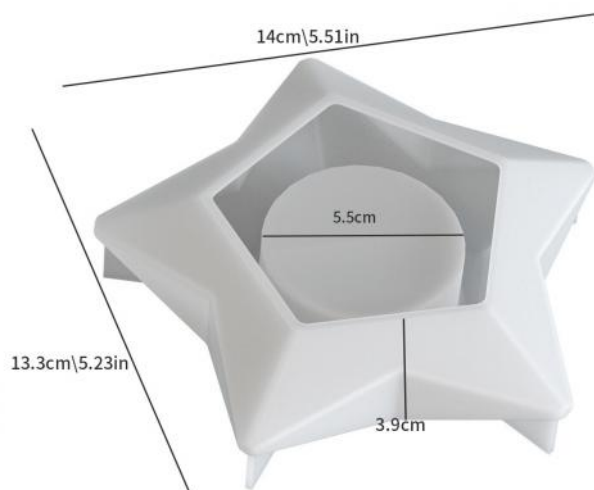
More Images





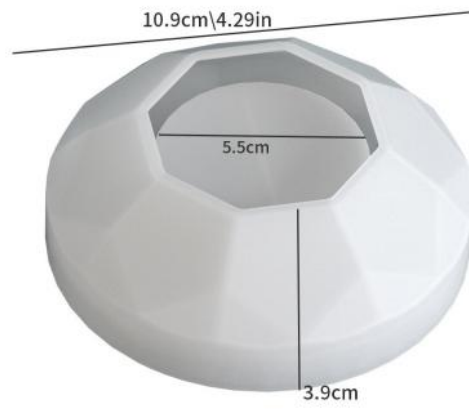
成品尺寸:8.8*8.8*3.7cm

菱形收纳杯模具001



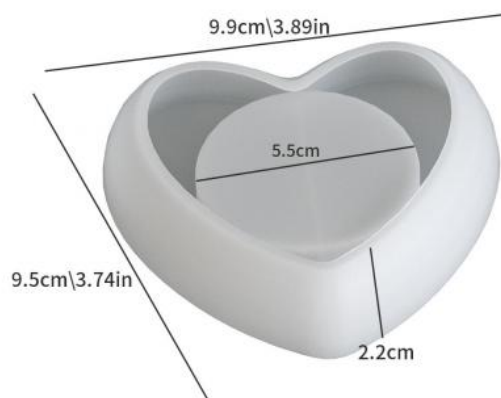
成品尺寸:13.7*13*3.7cm

切面星形收纳杯模具002



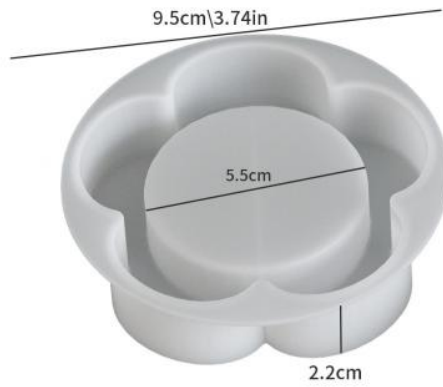
成品尺寸:10.5*10.5*3.7cm

钻石收纳杯模具003



成品尺寸:9.5*9*2cm

心形收纳杯模具004



成品尺寸:8.5*8.5*2cm

花瓣收纳杯模具005



Guangdong Crekoat New Materials Co., Ltd.



+8615017402317



info@crekoat.com



epoxyresinfloorcoating.com

Fengguo Industrial Avenue, Baini Town, Sanshui District, Foshan City, China